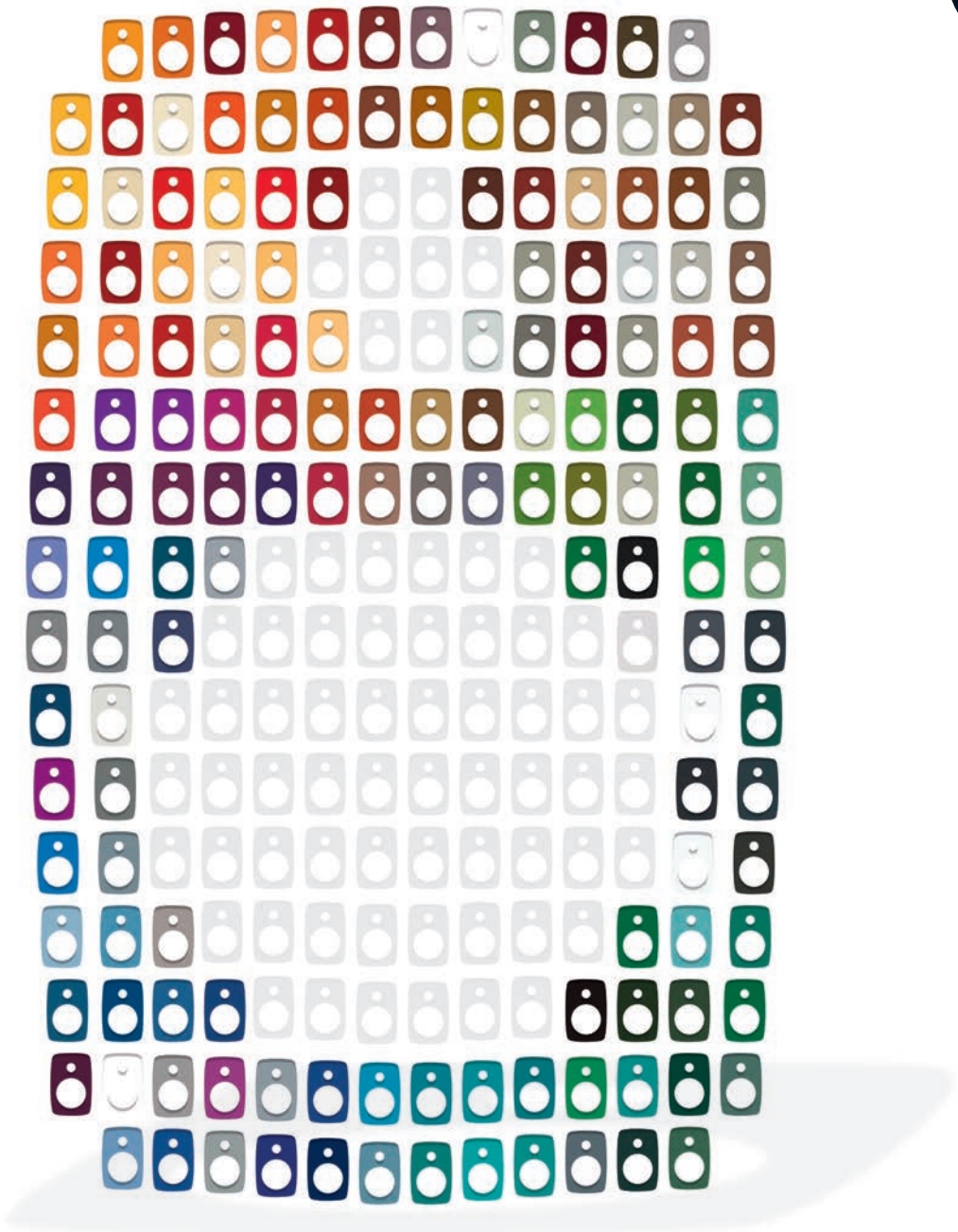


120
RAL
CHOICES



4000 SERIES FOR AV INSTALLATION

PREMIUM PRESENTATION

GENELEC®



AUDIO EXCELLENCE FOR AV INSTALLATIONS

Genelec is the leading loudspeaker brand for audio and music professionals. This position is built upon products that deliver unrivalled sonic accuracy and reliability, and the Genelec 4000 Series brings these same qualities to AV Installations.

Since 1978, Genelec has recognized the added value of high-quality design. Using various engineering and artistic disciplines our products have always been developed with superior functionality, aesthetics, ergonomics and the highest usability standards in mind.



Internationally renowned Finnish industrial designer Harri Koskinen has been collaborating with Genelec for many years, bringing a unique voice to the aesthetic of our products.

The Genelec 4000 Series offers a host of outstanding features:

- The subtle and minimalistic design of Genelec installation speakers blends beautifully with many different types of interiors.
- Our integrated design incorporates the power amplifiers within the speaker enclosure itself, thus eliminating the need for external amplifier racks.
- Genelec installation speakers are made of recycled aluminium, creating a solid cabinet structure for a clear, precise and flawless sound - whatever the listening level.
- With practical room response controls, you can easily tailor the sound for all types of interiors and even acoustically demanding spaces.
- All Genelec installation speakers are individually calibrated in our factory so that every unit sounds exactly the same.
- Installation of Genelec systems is extremely easy, and our extensive selection of accessories provides numerous mounting options.
- Genelec installation speakers are reliable, long-lasting investments. They are maintenance-free and built to last for decades.

MODELS

These installation speakers are not just powerful, accurate, compact and beautifully designed, they are extremely easy to install. Are you considering improving the audio quality in a restaurant, conference room or commercial space? At Genelec we have applied 40 years of experience and passion in loudspeaker design to bring you the 4000 Series. Available in four sizes and white, black and 120 different RAL colour finishes, with the 4000 Series you can always find your perfect match.

Whenever you see a Genelec AV Installation, it delivers a Premium feeling.

Whenever you listen to Genelec AV Installation products, they deliver a Premium sound.

Whenever you touch a Genelec AV Installation speaker, it delivers a Premium experience.

**GENELEC AV INSTALLATION:
DELIVERING PREMIUM PRESENTATION.**



INTELLIGENT SIGNAL SENSING POWER MANAGEMENT
SIGNIFICANT REDUCTION OF POWER CONSUMPTION IN STANDBY MODE



4010A



4030C



4020C



4040A



RESTAURANT RICO | LINKÖPING | SWEDEN

KIT LIST: 9 X GENELEC 4020, 2 X GENELEC 4030, 2 X GENELEC 4040

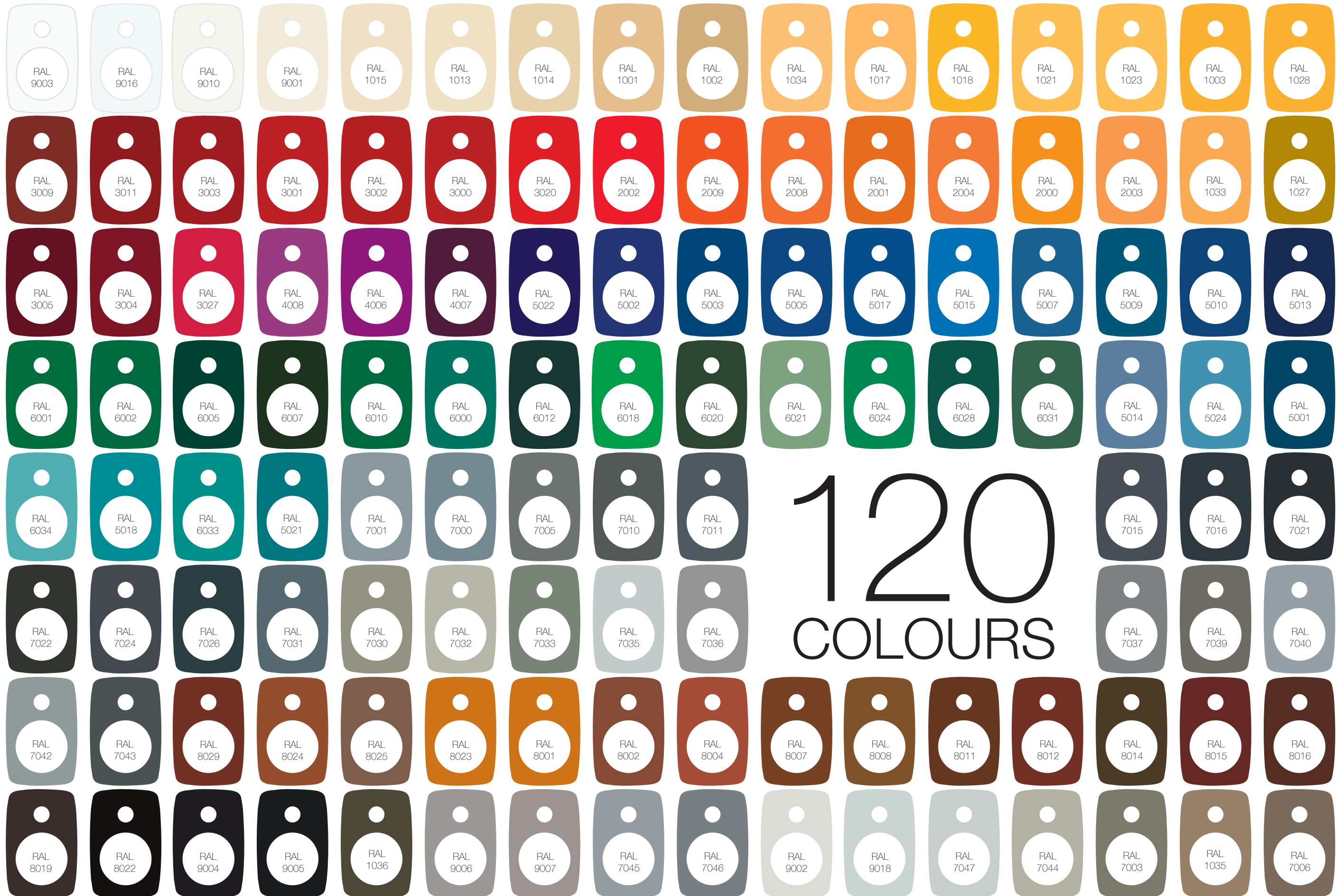
Diners have relished the restaurant's attractive décor, relaxed ambience and fresh produce. A host of Genelec 4020s, 4030s and 4040s have been installed across the premises, delivering audio clarity to accompany the restaurant's delicious food and stylish surroundings. With sound playing a key role in creating an inviting restaurant atmosphere, it was important to establish an environment with just the right audio levels; low enough to avoid disturbing conversations, but loud enough to keep the mood lively and energised. Integrator Carl Ingler commented: "We were looking for a solution which delivered high quality sound with good looks, low maintenance and high reliability."



ESPOO SCHOOL CAMPUSES | ESPOO | FINLAND

KIT LIST: 238 X GENELEC 4010, 8 X GENELEC 4030

A trio of schools upgraded their classrooms with the help of Genelec 4000 Series loudspeakers to deliver superior sound and outstanding reliability. "The Genelec Installation speakers sound great, they are straightforward to install and we get great feedback from users", says integrator Tarja Karppinen. "We've had absolutely no problems with installation of the loudspeakers at the schools, and their reliability is terrific. We've also found that once people have heard the Genelec sound, they don't want to go back to anything else! To be more precise, the clear and uncoloured sound is very important in education, and particularly in music, media and language rooms."



Variation from original RAL colour may be caused by printing.



ACTIVE IN PROFESSIONAL INSTALLATIONS

ALUMINIUM ENCLOSURE

All Genelec 4000 Series designs incorporate the innovative die-cast aluminium Minimum Diffraction Enclosure™ (MDE™) which features a relatively large internal volume, softly rounded edges and outstanding mechanical strength. As a result, the imaging accuracy and low frequency extension are truly astounding for such a compact enclosure. The enclosure design also incorporates the advanced Directivity Control Waveguide™ (DCW™) for the tweeter, providing an amazingly smooth on and off axis response, and a long, curved reflex port delivers excellent bass articulation. Both drivers are protected by sturdy metal grilles.

INTEGRATED SUPPORT

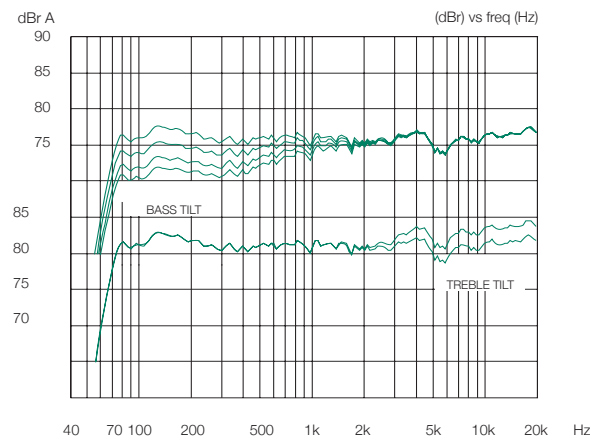
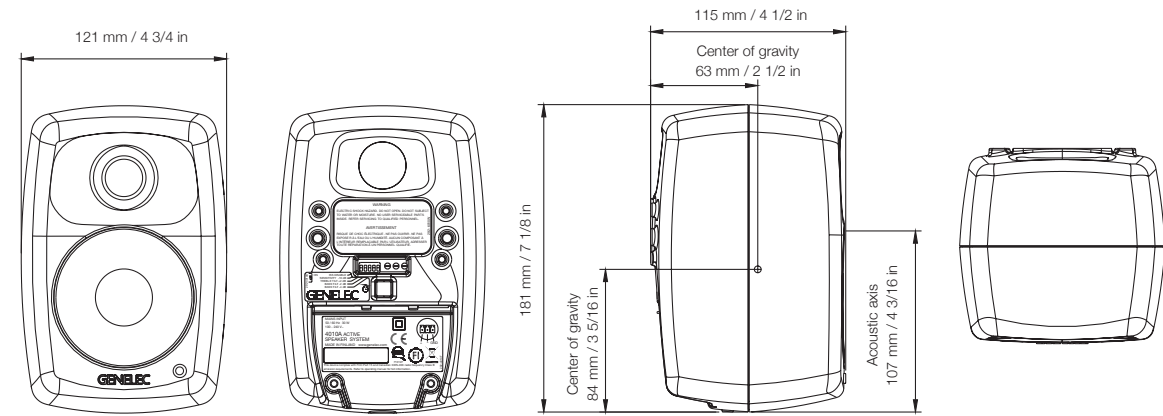
The integrated support points for Omnimount and/or König & Meyer mounting hardware on the enclosure back panel – and a threaded hole at the base of the enclosure – provide versatile mounting options for all installations. A wall mount bracket is included in the loudspeaker package, and a wide range of accessories are available from your local Genelec dealer.

CONTROLS AND POWER MANAGEMENT

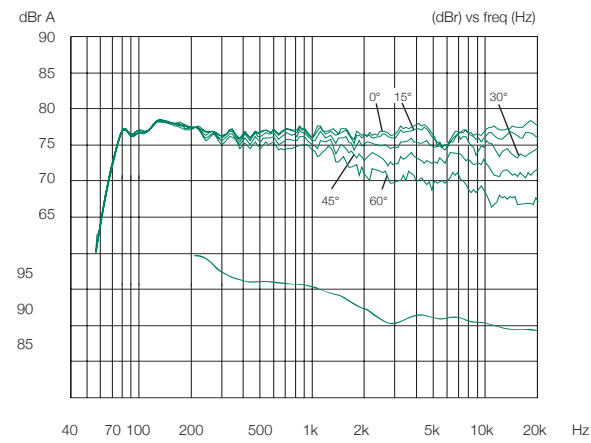
Calibrated Bass Tilt, Treble Tilt and Bass Roll-Off controls enable all 4000 Series loudspeakers to be tailored to any acoustic environment. Power management is by 12V trigger voltage (4040A) or a signal sensing Autostart function. Power consumption in Standby mode is less than 0.5 Watts.



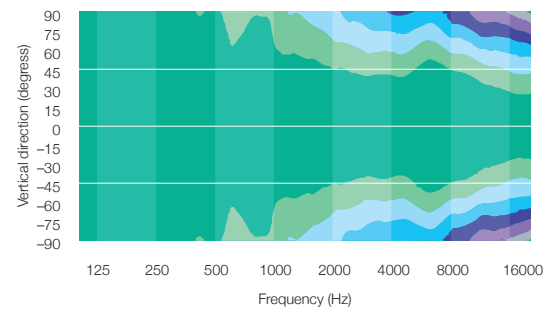
4010A



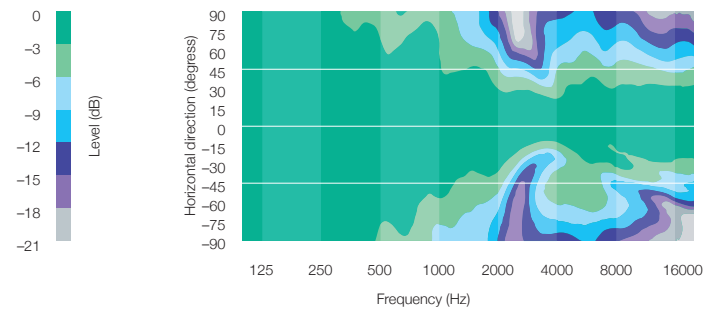
The effect of the Bass Tilt and Treble Tilt controls on the free field response.



The curves above show the horizontal directivity characteristics of the loudspeaker. The lower curve shows the loudspeaker's power response.



Horizontal Plane Directivity (normalized with on-axis)



Vertical Plane Directivity (normalized with on-axis)

Dispersion angle (degrees)

Horizontal

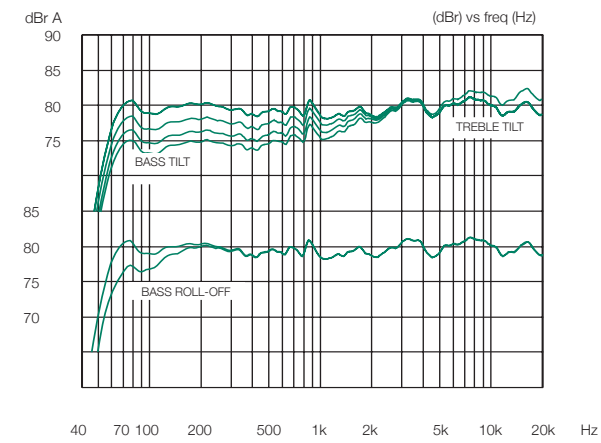
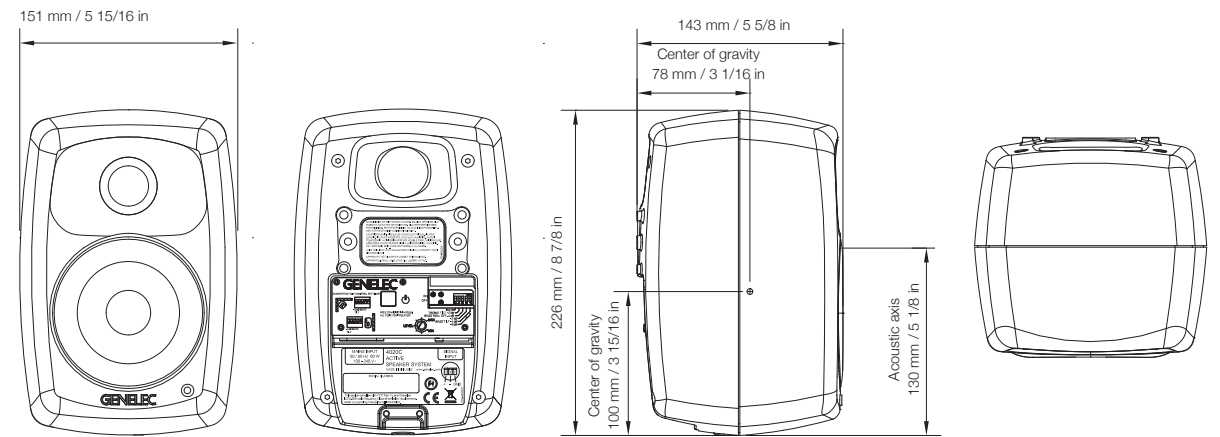
Vertical

130

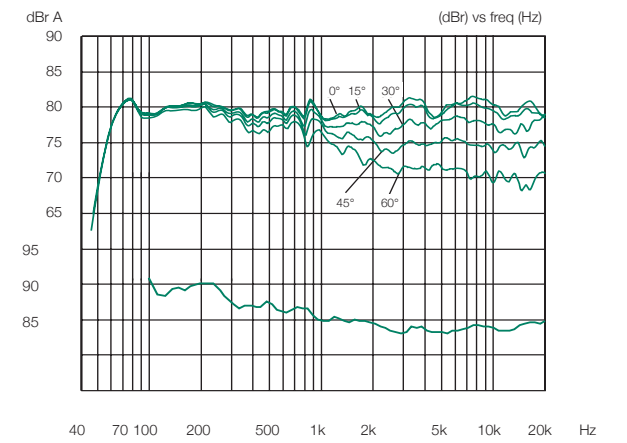
Frequency of > 150 deg dispersion (Hz)

2 000

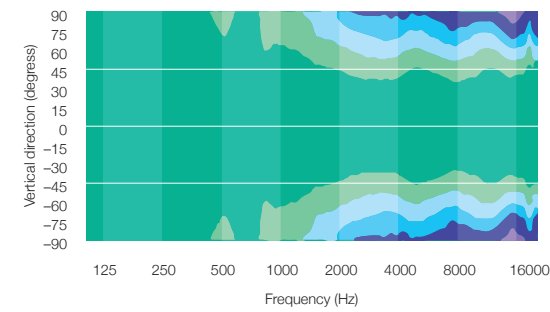
4020C



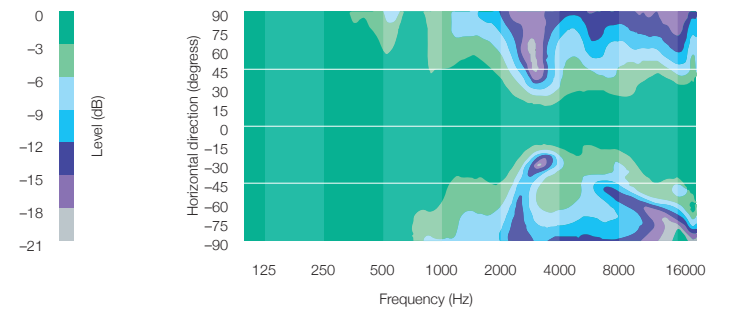
The effect of the Bass Tilt, Bass Roll-Off and Treble Tilt controls on the free field response.



The curves above show the horizontal directivity characteristics of the loudspeaker. The lower curve shows the loudspeaker's power response.



Horizontal Plane Directivity (normalized with on-axis)



Vertical Plane Directivity (normalized with on-axis)

Dispersion angle (degrees)

Horizontal

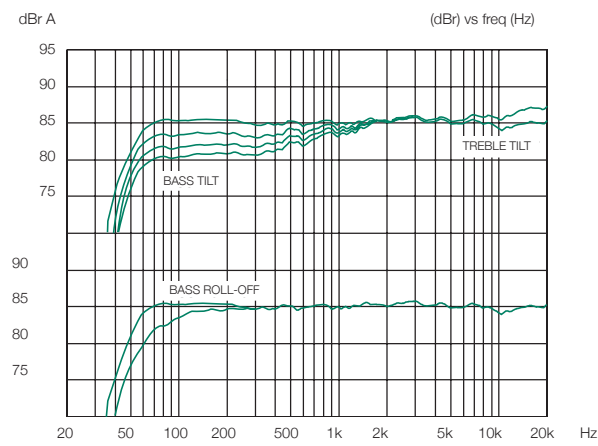
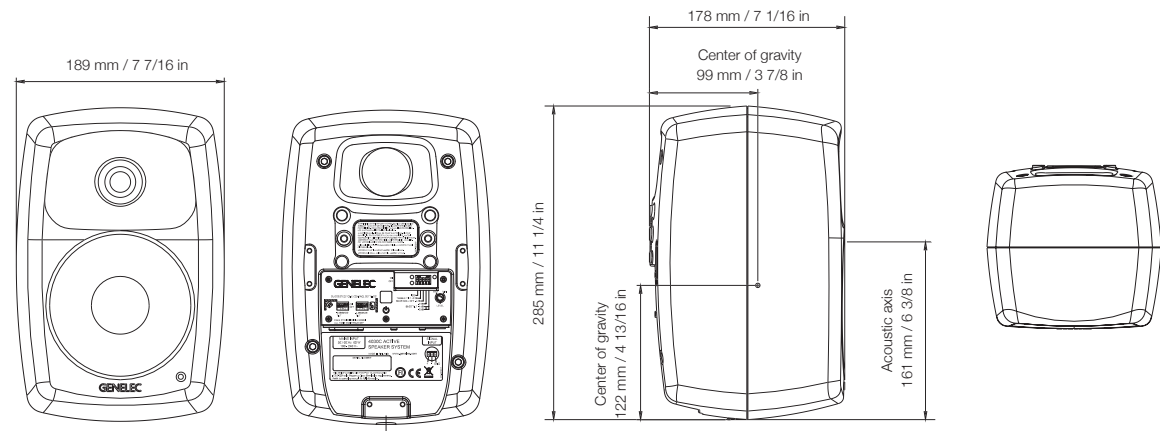
Vertical

120

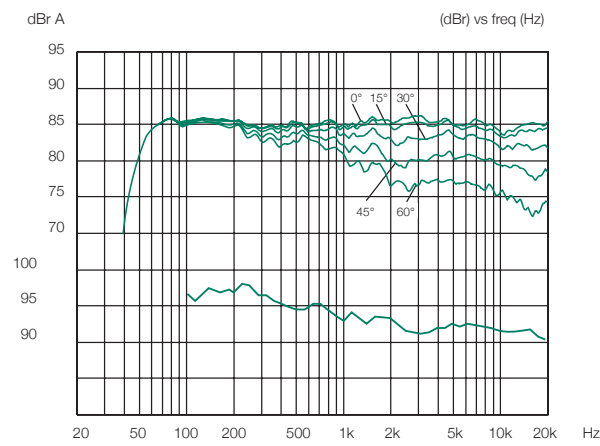
Frequency of > 150 deg dispersion (Hz)

1 500

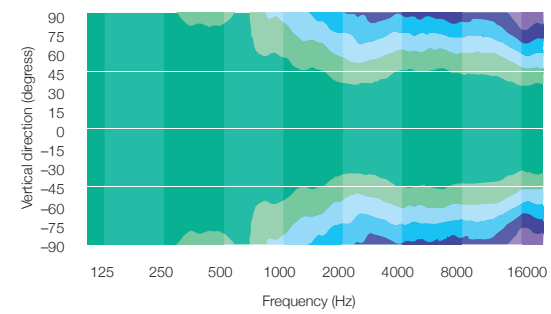
4030C



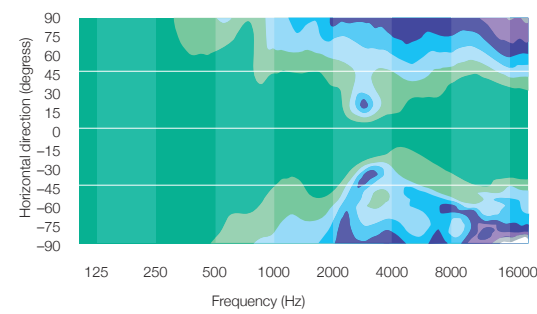
The effect of the Bass Tilt, Bass Roll-Off and Treble Tilt controls on the free field response.



The curves above show the horizontal directivity characteristics of the loudspeaker. The lower curve shows the loudspeaker's power response.



Horizontal Plane Directivity (normalized with on-axis)



Vertical Plane Directivity (normalized with on-axis)

Dispersion angle (degrees)

Horizontal

Vertical

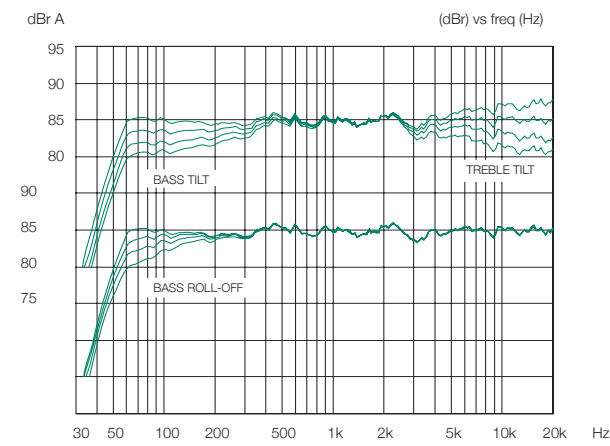
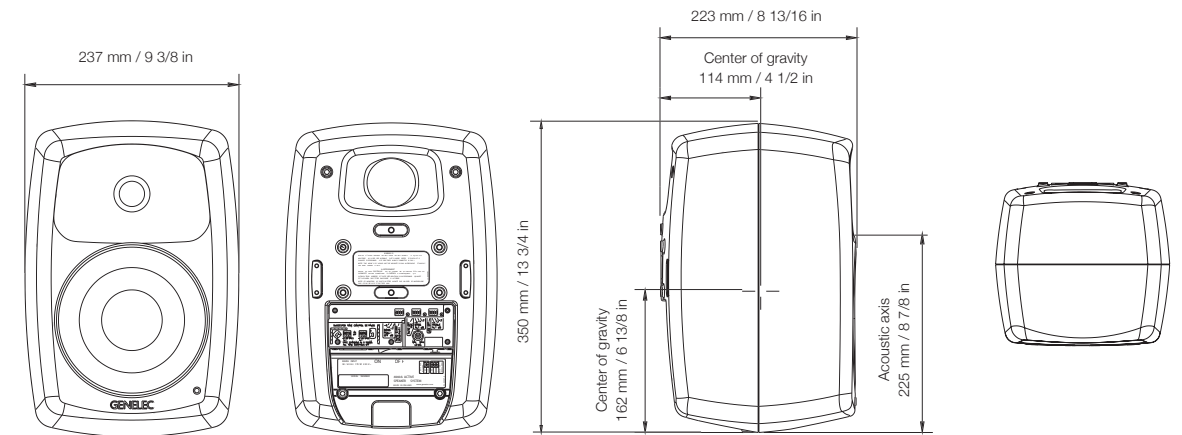
120

100

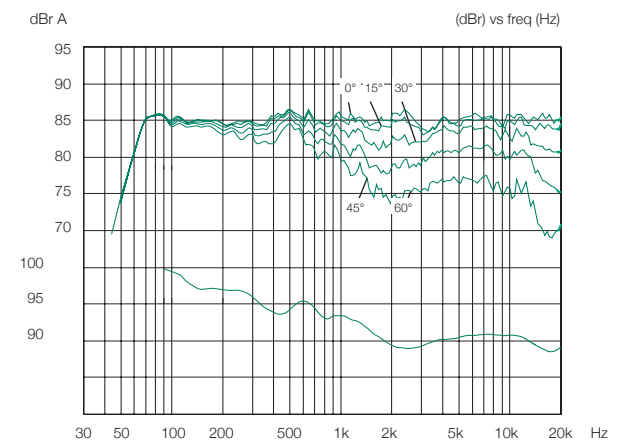
Frequency of > 150 deg dispersion (Hz)

1 000

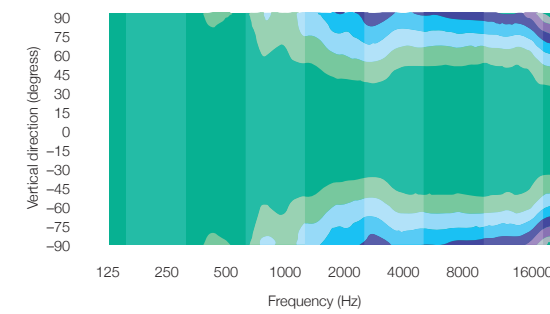
4040A



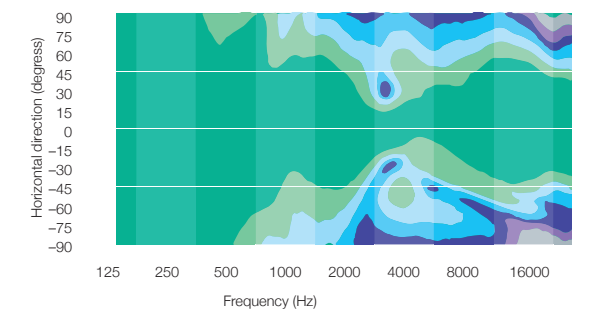
The effect of the Bass Tilt, Bass Roll-Off and Treble Tilt controls on the free field response.



The curves above show the horizontal directivity characteristics of the loudspeaker. The lower curve shows the loudspeaker's power response.



Horizontal Plane Directivity (normalized with on-axis)



Vertical Plane Directivity (normalized with on-axis)

Dispersion angle (degrees)

Horizontal

Vertical

110

100

Frequency of > 150 deg dispersion (Hz)

800



MAKIA FLAGSHIP STORE | HELSINKI | FINLAND

KIT LIST: 6 X GENELEC 4030

Like Genelec, Makia is a Finnish brand that makes quality products that stand the test of time and never go out of fashion. Joni Malmi, founder of Makia says, “We were looking for quality sound that would be well balanced throughout the store space. The look of the speakers was also important, as the style of our store is functional Nordic minimalism. The choice was pretty easy – the white 4000 Series blends well into the interior design of our store, and the Genelec brand reflects values that we appreciate. The install-friendly 4000 Series meant that fitting the speakers was simple and unproblematic. The 4000 Series is fitted with balanced Euroblock (Phoenix) screw terminals, which ensures an easy and secure connection, and delivers interference-free, professional sound quality. We are happy with the end result!”



SANOMA MEDIA COMPANY | ESPOO | FINLAND

KIT LIST: 8 X GENELEC 4030 AND 80 X GENELEC 4020

Sanoma is the leading consumer media company in Finland and the Netherlands. Through a broad range of services across a range of media platforms which includes online, print, radio and television, the company serves multiple channels in the entertainment and learning sectors. In some of the smaller video conferencing rooms, pairs of 4020s are mounted either side of the display on specially designed, custom mounts. The 4020 is designed for this type of challenging installation, especially where space is compromised. “We have been really pleased with the performance of the 4030s in the larger presentation rooms,” says integrator Tuomas Immonen. “The sound quality is perfect for the corporate environment, and even at high volumes the clarity is maintained. In the smaller rooms, the compact 4020s have also performed extremely well and the client is delighted with the results.”

ACCESSORIES

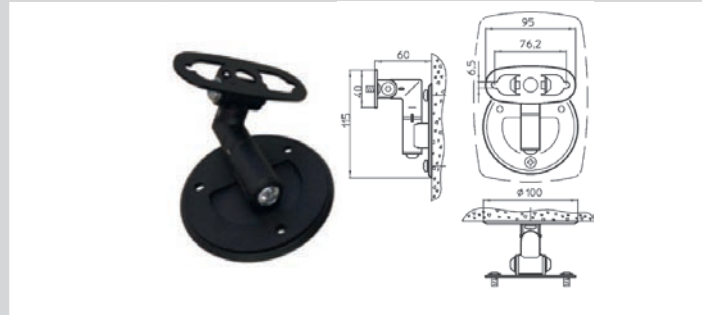
Genelec offers a wide range of accessories for the 4000 Series, and we've detailed just a few examples below. Please visit the Genelec Webshop to see the entire range.

You can also purchase these accessories through your local Genelec dealer.



Short wall mount with ball adjustment for 4010, 4020 and 4030. Available in black and white.

8000-420B
8000-420W



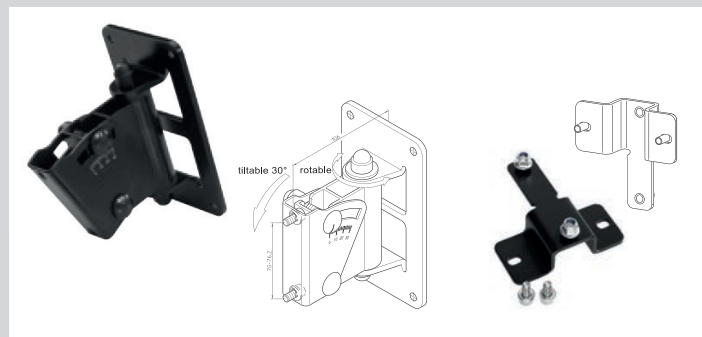
Adjustable wall mount with T-plate for 4010, 4020 and 4030. Available in black and white.

8000-422B Black (K&M 24160-000-56)
8000-422W White (K&M 24160-000-66)



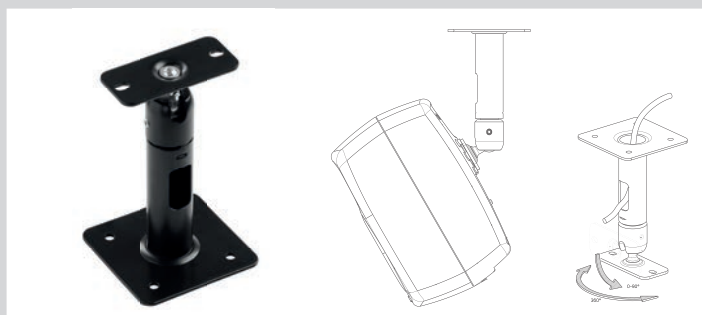
Installation friendly signal cable with shielded pair for balanced line level analog audio. Slimline white plastic jacket, sold in 100m reels.

1510-888



Adjustable wall mount for 4030 and 4040. Available in black and white.

Security wire available / part no. 8000-418B.
8000-402B Black (K&M 24475-000-55)
8000-402W White (K&M 24475-000-57)



Short ceiling mount with ball adjustment for 4010, 4020 and 4030. Available in black and white.

8000-202B
8000-202W



Short ceiling mount For all 4000 series models. Available in black and white.

8000-436B Black (K&M 24486-000-55)
8000-436W White (K&M 24486-000-57)

TECHNICAL SPECIFICATIONS

	4010A	4020C	4030C	4040A
Lower cut-off frequency, -6 dB	≤ 67 Hz	≤ 56 Hz	≤ 47 Hz	≤ 50 Hz
Upper cut-off frequency, -6 dB	≥ 25 kHz	≥ 25 kHz	≥ 25 kHz	≥ 25 kHz
Accuracy of frequency response	74 Hz - 20 kHz (± 2.5 dB)	62 Hz - 20 kHz (± 2.5 dB)	54 Hz - 20 kHz (± 2.5 dB)	55 Hz - 20 kHz (± 3.0 dB)
Maximum short term sine wave acoustic output on axis in half space, averaged from 100 Hz to 3 kHz	@ 1 m ≥ 96 dB SPL	@ 1 m ≥ 100 dB SPL	@ 1 m ≥ 104 dB SPL	@ 1 m ≥ 109 dB SPL
Maximum long term RMS acoustic output in same conditions with IEC weighted noise (limited by driver unit protection circuit)	@ 1 m ≥ 91 dB SPL	@ 1 m ≥ 93 dB SPL	@ 1 m ≥ 96 dB SPL	@ 1 m ≥ 101 dB SPL
Maximum peak acoustic output per pair with music material	@ 1 m ≥ 105 dB	@ 1 m ≥ 107 dB	@ 1 m ≥ 110 dB	@ 1 m ≥ 114 dB
Self generated noise level in half space at 1 m on axis (A-weighted)	≤ 5 dB	≤ 5 dB	≤ 5 dB	≤ 10 dB
Harmonic distortion at given SPL at 1 m on axis	80 dB SPL 70...400 Hz < 3 % > 400 Hz < 0.5 %	85 dB SPL 50...100 Hz < 3 % > 100 Hz < 0.5 %	85 dB SPL 50...100 Hz < 2 % > 100 Hz < 0.5 %	90 dB SPL 50...100 Hz < 3 % > 100 Hz < 0.5 %
Drivers				
Bass	76 mm (3 in) cone	105 mm (4 in) cone	130 mm (5 in) cone	165 mm (6 1/2 in) cone
Treble	19 mm (3/4 in) metal dome	19 mm (3/4 in) metal dome	19 mm (3/4 in) metal dome	19 mm (3/4 in) metal dome
Weight	1.5 kg (3.3 lb)	3.1 kg (6.8 lb)	4.9 kg (10.8 lb)	9.9 kg (22 lb)
Dimensions				
Height	181 mm (7 1/8 in)	226 mm (8 7/8 in)	285 mm (11 1/4 in)	350 mm (13 13/16 in)
Width	121 mm (4 3/4 in)	151 mm (6 in)	189 mm (7 7/16 in)	237 mm (9 3/8 in)
Depth	115 mm (4 1/2 in)	142 mm (5 5/8 in)	178 mm (7 1/16 in)	223 mm (8 13/16 in)

	4010A	4020C	4030C	4040A
Bass amplifier short term output power	25 W	50 W	50 W	120 W
Treble amplifier short term output power	25 W	50 W	50 W	120 W
Long term output power is limited by driver unit protection circuitry				
Amplifier system THD at nominal output	< 0.08 %	< 0.05 %	< 0.05 %	< 0.05 %
Mains voltage	100 - 240 V AC 50-60 Hz			
Power consumption (average)				
Standby	<0.5 W	<0.5 W	<0.5 W	<0.5 W
Idle	5 W	3 W	3 W	15 W
Full output	30 W	60 W	60 W	170 W

	4010A	4020C	4030C	4040A
Signal input connector	Balanced 10 kOhm Euroblock			
Input level for 100 dB SPL output at 1 m	-6 dBu (Sensitivity -10 dB OFF)	-6 dBu at volume control max		
Sensitivity control range	-10 dB	Level control range relative to max. output: -40 dB (constantly variable)		-12 dB
Crossover frequency, Bass/Treble	3.0 kHz	3.0 kHz	3.0 kHz	2.5 kHz
Treble Tilt control operating range	0 to +2 dB @ 15 kHz	0 to +2 dB @ 15 kHz	0 to +2 dB @ 15 kHz	+2 to -4 dB @ 15 kHz + Mute
Bass Tilt control operating range in 2 dB steps	From 0 to -6 dB @ 100 Hz	From 0 to -6 dB @ 100 Hz	From 0 to -6 dB @ 100 Hz	From 0 to -6 dB @ 100 Hz + Mute
Bass Roll-Off control	N/A	-4 dB step @ 65 Hz	-4 dB step @ 55 Hz	From 0 to -6 dB @ 55 Hz

The 'CAL' position is with all tone controls set to 'off' and the input sensitivity control to maximum (fully clockwise).

**AN OUTSTANDING SPACE DESERVES
QUALITY AUDIO. GENELEC OFFERS
YOU A COMPREHENSIVE RANGE OF
PRODUCTS, WHICH ARE SPECIFICALLY
DESIGNED FOR MANY DIFFERENT TYPES
OF COMMERCIAL AND PROFESSIONAL
INDOOR INSTALLATIONS.**

ALWAYS A PERFECT MATCH

GENELEC®

Genelec Oy

Olvitie 5
FI-74100 Iisalmi
Finland
Phone +358 17 83 881
genelec@genelec.com

Genelec Inc., USA

Genelec Inc.
7 Tech Circle, Natick
MA 01760
USA
Phone +1 508 652 0900
genelec.usa@genelec.com

Genelec Sweden

Genelec Sverige
Ellipsvägen 10B
P.O. Box 2036,
S-127 02 Skärholmen
Sweden
Phone +46 8 449 5220
info@genelec.com

Genelec China

Beijing Genelec Audio Co.Ltd
B33-101, UBP
No. 10 Jiuxianquiao Road
Chaoyang District
Beijing
China
Phone +400 700 1978
genelec.china@genelec.com

Genelec Japan

Genelec Japan Inc.
Tokyo
2-22-21 Akasaka,
Minato-ku, 107-0052
Japan
Phone +81 3 3568 8826
genelec.japan@genelec.jp

Genelec Denmark

Skanderborg
Danmarksvej 32 D, 8660
Denmark
genelec@genelec.com

Detailed Datasheets and Operating Manuals for all Genelec models and other useful information can be downloaded at genelec.com

Genelec Document BBAGE185 AV Install 2018 EN. Copyright Genelec Oy 01/2018. All data subject to change without prior notice.